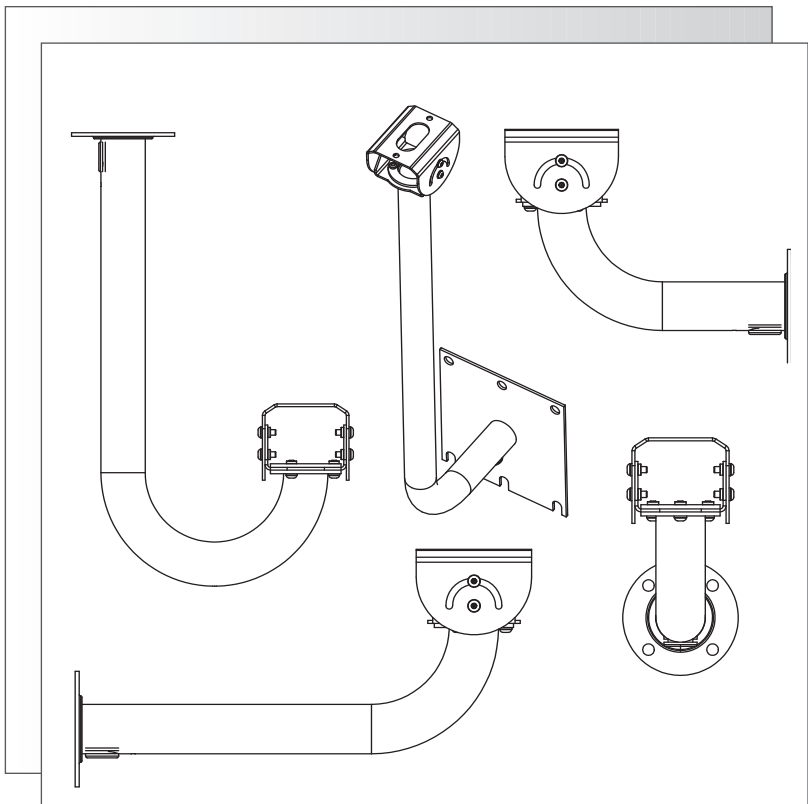


**INDOOR/OUTDOOR
FEED-THROUGH HOUSING MOUNTS**



- MT9215-24H**
- MT9215**
- MT9215S**
- MT9219**

SAFETY PRECAUTIONS



The exclamation point within an equilateral triangle is intended to alert the user to presence of important operating and maintenance (servicing) instructions in the literature accompanying the appliance.

SECURITE



Le point d'exclamation à l'intérieur d'un triangle équilatéral avertit l'utilisateur de la présence d'instructions importantes d'utilisation et de maintenance dans la documentation accompagnant l'appareil.

SICHERHEITSVORKEHRUNGEN



Das Ausrufezeichen in dem gleichseitigen Dreieck ist dazu da, den Benutzer auf wichtige Inbetriebnahme- und Instandhaltungsvorschriften hinzuweisen, die dem Gerät in Form einer Broschüre beigelegt sind.

PRECAUCIONES DE SEGURIDAD



El símbolo de exclamación dentro de un triángulo equilátero, se muestra con el objetivo de alertar al usuario de que instrucciones de operación y mantenimiento importantes acompañan al equipo.

1 UNPACKING

Unpack carefully. This is mechanical equipment and should be handled with care.

Check for the following items:

- Verify the unit model number.
- Instructions for Use.

If an item appears to have been damaged in shipment, replace it properly in its carton and notify the shipper. If any items are missing, notify Aigis Mechtronics. The shipping carton is the safest container in which the unit may be transported. Save it for possible future use.

2 SERVICE

If the unit ever needs repair service, the customer should contact Aigis Mechtronics.

3 DESCRIPTION

MT9215-24H 79-cm (30-in), MT9215 30-cm (12-in), MT9215S 18-cm (7-in), and MT9219 40-cm (15-in) Feed-through Mounts.

The MT9215, MT9215S and the MT9219 are indoor/outdoor mounts designed for fixed camera or camera housing installations up to 9 kg (20 lb) rated load. The MT9215-24H is designed for fixed camera or camera housings installation up to 4.7 kg or (10.5 lbs). All models are made of lightweight aluminum and feature welded construction, providing an extremely rigid camera mount.

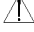
The MT9215S has been designed specifically for the HS9480 series housings, while the MT9215-24H, MT9215 and MT9219 can be used with the HS9480, HS9483, and HS9488 series camera housings. All mounts come fully assembled.

4 INSTALLATION

4.1 Installation of the MT9215-24H

1. Determine a secure wall mounting location.

WARNING: Do not mount in an inverted position.

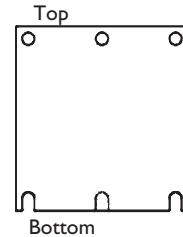
2.  **Caution:**
 - a. For a secure installation use six (6) bolts (not included). The bolts should extend through the mounting surface and be secured with nuts, lock washers, and flat washers on the opposite side.
 - b. If studs are used, they should be anchored in concrete or welded to a steel backer plate.
 - c. If the wall mount is attached to wood or to a blind structure (with no access to the rear), make certain that the mounting fasteners have a **minimum** pull-out strength of 600 pounds.



WARNING: All mounts are designed to support a load only in a vertical direction. Mounts MUST be positioned as shown under SPECIFICATIONS.

3. For ease of installation, locate the bottom mounting holes first. Install the bolts (or studs) into the wall surface.

WARNING: The MT9215-24H must be mounted with the slotted mounting holes of the wall plate at the bottom.



4. Reseat the MT9215-24H on the bolts (or studs) using the bottom slotted holes, then locate the upper mounting holes and drill into the wall surface.
5. Install the upper bolts (or studs) through the wall mount and into the wall surface. Tighten upper and lower bolts (or studs) securely.

Note: The **minimum** diameter bolt (or stud) required is 10 mm (3/8 in).

6. To mount the camera or camera housing:
 - a. Mount camera with 2 - 1/4-20 bolts and lock washers (not furnished) in the 2 holes of the adjustable head. Feed wires through the center hole and out through the hole near the base.
 - b. Mount housings with 2 - 1/4-20 bolts and lockwashers (not furnished). Feed wires through center hole and out through the hole near the base.
 - c. Lock mount head in position by using the supplied 1/8-inch long-arm hex wrench to tighten screws.


4.1 Installation of the MT9215, MT9215S and the MT9219

1. Determine a secure wall mounting location.

WARNING: Do not mount in an inverted position.

2.  **Cautions:**

- a. For a secure installation, use four 8-mm (5/16-in) diameter fasteners (not included). Use stainless steel or zinc plated fasteners.
- b. If bolts are used, they should extend through the mounting surface and be secured with flat washers, lock washers, and nuts on the opposite side. Each bolt must have a minimum pull-out strength of 200 kg (450 lb).
- c. If studs are used, they should be anchored in concrete or welded to a steel backer plate. Each stud must have a minimum pull out strength of 200 kg (450 lb).
- d. If the wall mount is attached to wood or to a blind structure (with no access to the rear), each fastener must have a minimum pull-out strength of at least 200 kg (450 lb)

 **WARNING: All mounts are designed to support a load only in a vertical direction. Mounts MUST be positioned as shown under SPECIFICATIONS.**

3. Locate the four holes or stud locations using the flange as a template (four holes equally spaced on a 69.9-mm (2-3/4-in bolt circle).
4. Feed wires through the large hole in the flange or through the slot on the surface where the camera housing mounts.
5. Install the mount using bolts or studs at least 8-mm (5/16-in) in diameter.
6. To mount the camera or camera housing:
 - a. Mount camera with a 2-1/4-20 bolts and lock washers (not furnished) in the 2 holes of the adjustable head. Feed wires through the center hole and out through the hole near the base.
 - b. Mount housings with 2 - 1/4-20 bolts and lockwashers (not furnished). Feed wires through center hole and out through the hole near the base.
 - c. Lock mount head in position by using the supplied 1/8-inch long-arm hex wrench to tighten screws.

5 SPECIFICATIONS

5.1 MT9215-24H 79-cm (30.1-in) Indoor/Outdoor Feed-through Mount

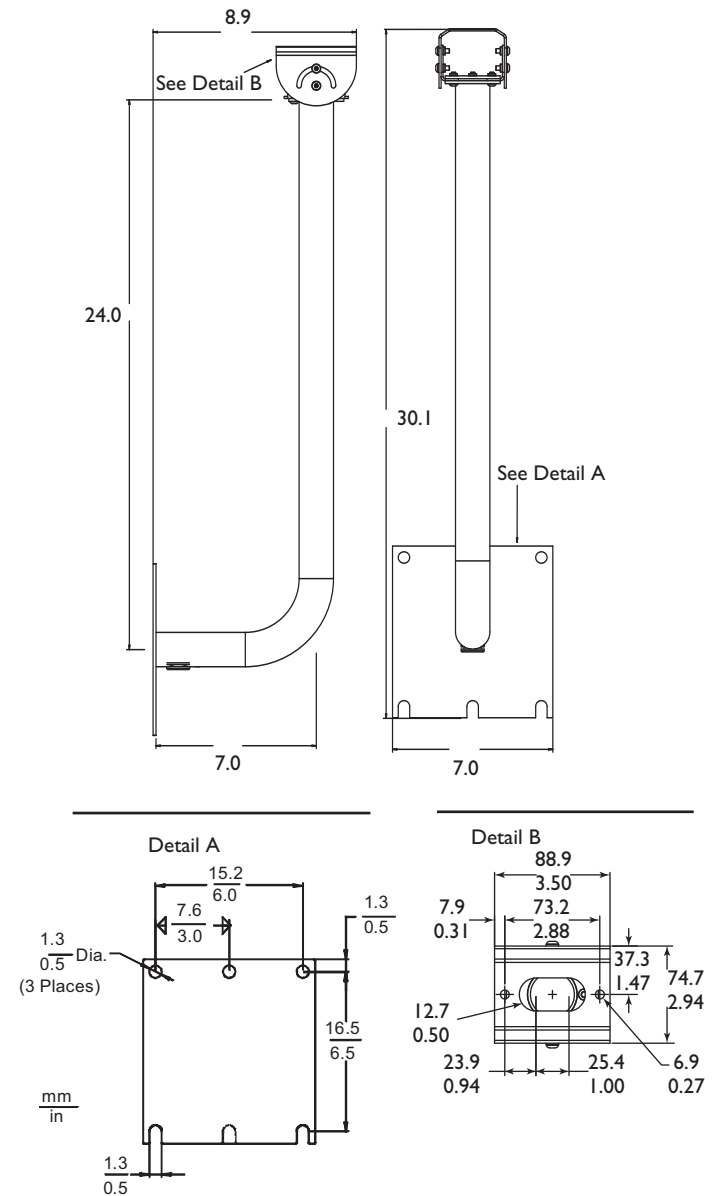
Maximum Load: 4.7kg (10.5 lb).

Mounting Head: Adjustable. 360° pan, 180° tilt.

Finish: Dark mushroom.

Approx. Weight: .9 kg (2 lb).

WARNING: All mounts must be mounted as shown.



MT9215-24H Feed-through Mount

5.2 MT9215 30-cm (12-in) Indoor/Outdoor Feed-through Mount

Maximum Load: 9 kg (20 lb).

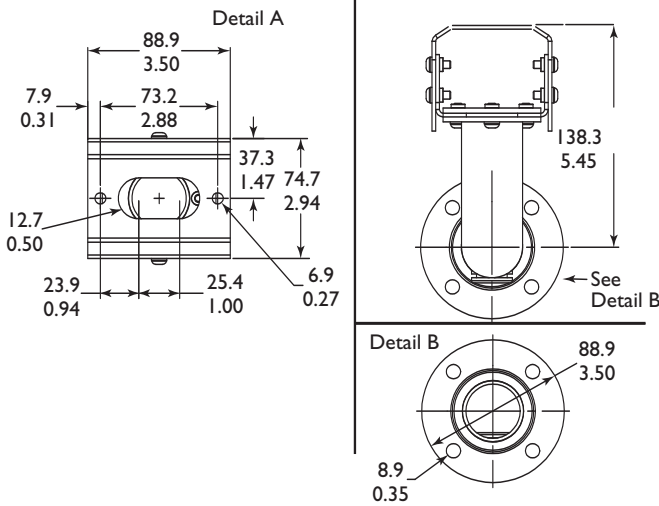
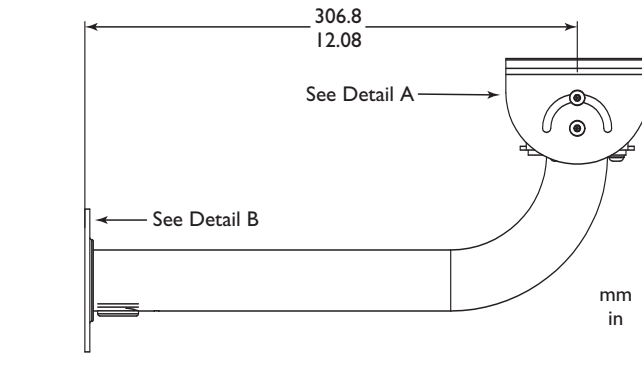
Mounting Head: Adjustable. 360° pan, 180° tilt.

Finish: Dark mushroom.

Approx. Weight: 0.4 kg (0.9 lb).

Accessory for MT9215: MT9213 Pole Mount Adapter.

WARNING: All mounts must be mounted as shown.



MT9215 Feed-through Mount

5.3 MT9215S 18-cm (7-in) Indoor/Outdoor Feed-through Mount

Maximum Load: 9 kg (20 lb).

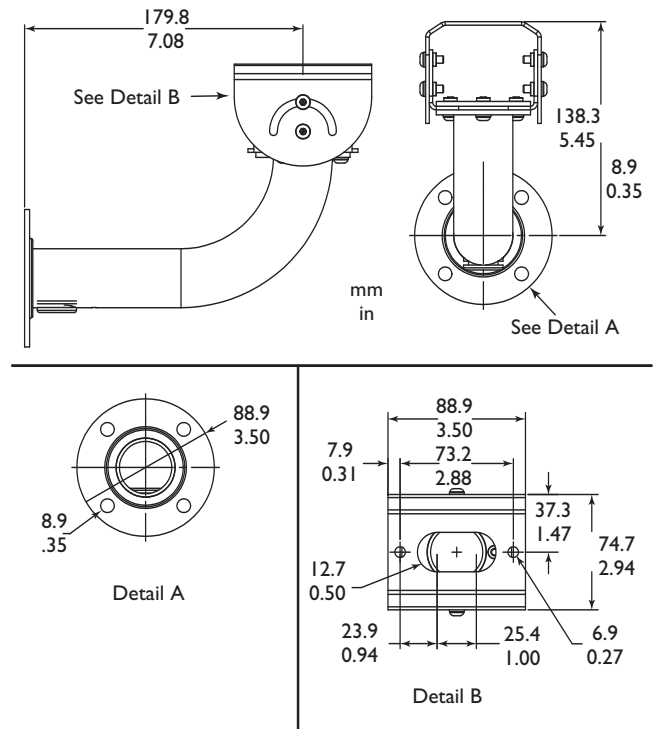
Mounting Head: Adjustable. 360° pan, 180° tilt.

Finish: Dark mushroom.

Approx. Weight: 0.3 kg (0.7 lb).

Accessory for MT9215S: MT9213 Pole Mount Adapter.

WARNING: All mounts must be mounted as shown.



MT9215S Feed-through Mount

5.4 MT9219 40-cm (15-in) Indoor/Outdoor Feed-through J-mount

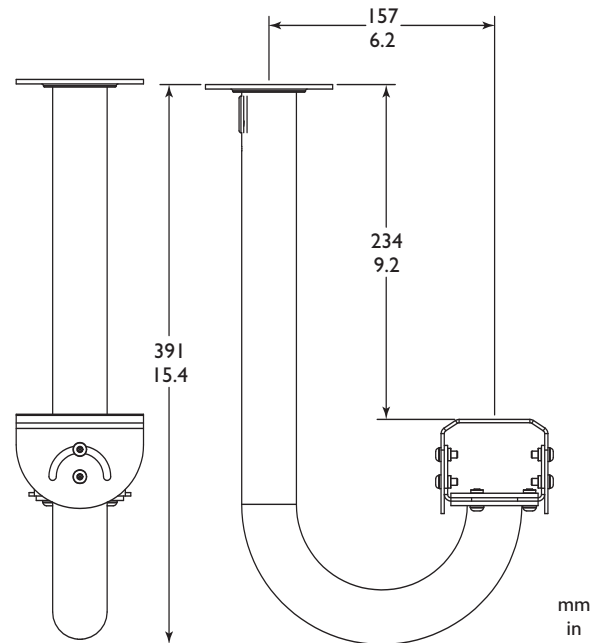
Maximum Load: 9 kg (20 lb).

Mounting Head: Adjustable. 360° pan, 180° tilt.

Finish: Dark mushroom.

Approx. Weight: 0.55 kg (1.2 lb).

WARNING: All mounts must be mounted as shown.



MT9219 Feed-through J-mount



©2006 Aigis Mechtronics
1124 Louise Road, Winston-Salem, NC 27107-5450
Tel: 336.785.7740 Fax: 336.785.7744

Data subject to change without notice

100 0013 002 AIG 11/06

Printed in U.S.A.